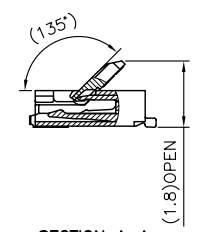
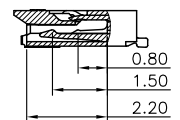
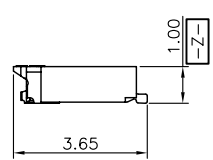
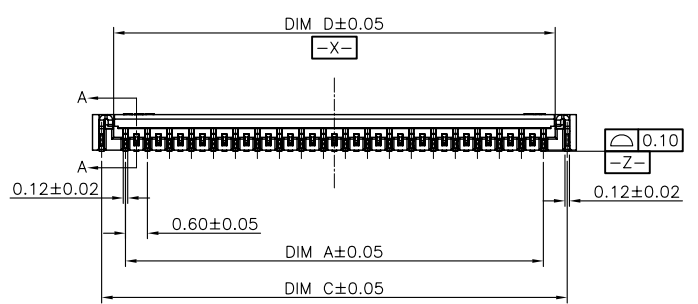
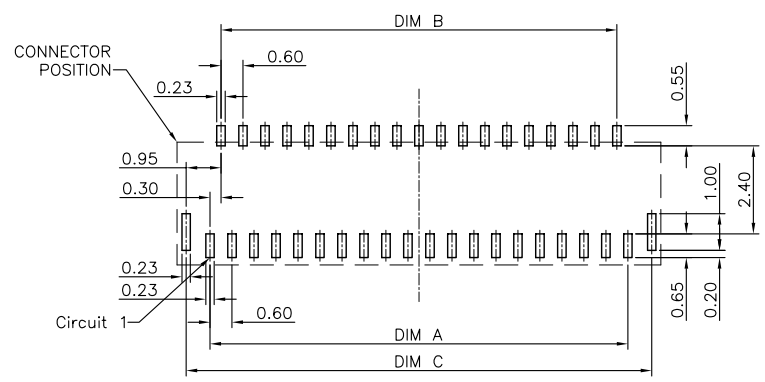


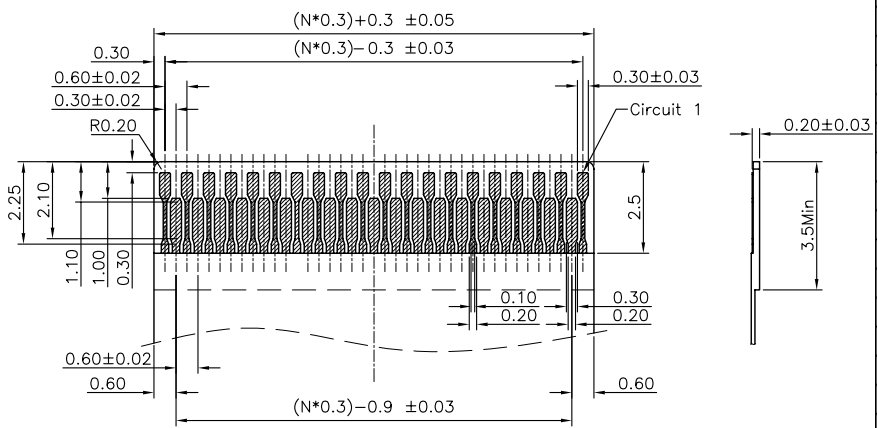
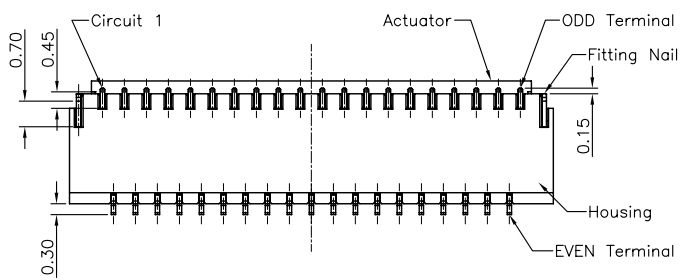
CKTS No&Cavity No



SECTION A-A SCALE 1:1

SECTION A-A SCALE 1:1

CKTS	DIM A	DIM B	DIM C	DIM D	DIM E
9	2.40	1.80	3.70	3.05	4.20
11	3.00	2.40	4.30	3.65	4.80
13	3.60	3.00	4.90	4.25	5.40
15	4.20	3.60	5.50	4.85	6.00
17	4.80	4.20	6.10	5.45	6.60
19	5.40	4.80	6.70	6.05	7.20
21	6.00	5.40	7.30	6.65	7.80
23	6.60	6.00	7.90	7.25	8.40
25	7.20	6.60	8.50	7.85	9.00
27	7.80	7.20	9.10	8.45	9.60
29	8.40	7.80	9.70	9.05	10.20
31	9.00	8.40	10.30	9.65	10.80
33	9.60	9.00	10.90	10.25	11.40
35	10.20	9.60	11.50	10.85	12.00
37	10.80	10.20	12.10	11.45	12.60
39	11.40	10.80	12.70	12.05	13.20
41	12.00	11.40	13.30	12.65	13.80
43	12.60	12.00	13.90	13.25	14.40
45	13.20	12.60	14.50	13.85	15.00
47	13.80	13.20	15.10	14.45	15.60
49	14.40	13.80	15.70	15.05	16.20
51	15.00	14.40	16.30	15.65	16.80
53	15.60	15.00	16.90	16.25	17.40
55	16.20	15.60	17.50	16.85	18.00
57	16.80	16.20	18.10	17.45	18.60
59	17.40	16.80	18.70	18.05	19.20
61	18.00	17.40	19.30	18.65	19.80
63	18.60	18.00	19.90	19.25	20.40
65	19.20	18.60	20.50	19.85	21.00
67	19.80	19.20	21.10	20.45	21.60
69	20.40	19.80	21.70	21.05	22.20
71	21.00	20.40	22.30	21.65	22.80



RECOMMENDED FPC/FFC DIMENSION

- Note:**
- Material:**
 - Housing: thermoplastic high temp. UL94V-0; Color: natural.
 - Actuator: thermoplastic high temp. UL94V-0; Color: black.
 - EVEN Terminal: copper alloy T=0.12mm
 - ODD Terminal: copper alloy T=0.12mm
 - Fitting Nail: copper alloy T=0.12mm
 - Finish:**
 - Terminal: Underplating: Gold flash overall.
 - Fitting Nail: Underplating: matt Tin overall.
 - Product must comply HF RoHS specification.

PART NO. SPEC
 AFE01-SXX X X X-HF

NO. OF CKTS | CONTACT TYPE | PLATING CODE | PACKING CODE

1: GOLD FLASH 1u" | 2: GOLD FLASH 2u" | 3: GOLD FLASH 3u" | A: Tape & Reel | B: Tray package | C: Tube | E: Tape & Reel with Mylar | F: Box with Mylar | G: Tube with Mylar

C: MATT-Tin 90-120u"

Tolerance Unspecified (未注公差)		Size (图幅): A4
0.0	±0.15 0° ±5°	Unit (单位): MM
0.00	±0.10 0° 0 ±3°	Scale (比例): 1:1
0.000	±0.05 0° 00 ±1°	Page (页数): 1 OF 1
Project View (投影视角)		Rev (版本): A

浙江合丰科技有限公司
Zhejiang Hefeng Technology Co., Ltd

Product Name (产品名称): 0.3Pitch IH=1.0 FPC Easy-on CONN.R/A SMT TYPE

Product No (产品料号): AFE01-S**F1A-HF

Designer (设计): Steven 12/23'11

Checked (审核): Allan 12/23'11

Approved (核准):

Rev 版本	Change Description 变更内容	Date 日期	Revisor 制/修订人
A	初版发行	2011/12/23	Allan