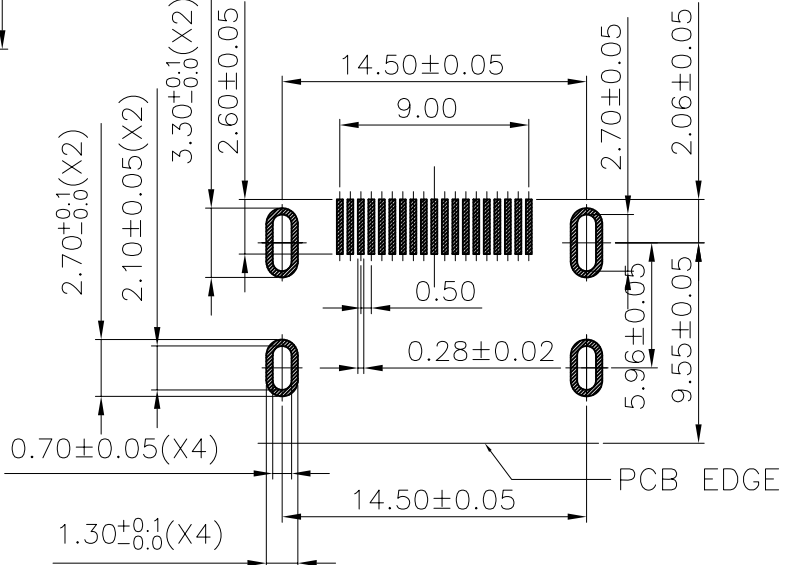
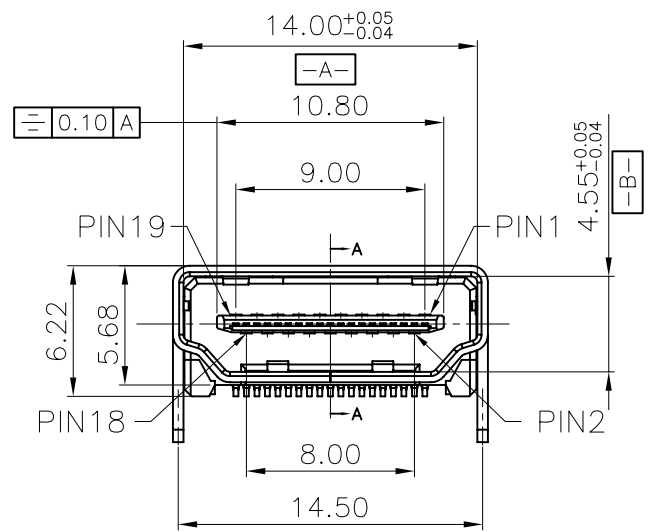


SECTION A-A  
SCALE 1:1

- NOTES:
- MATERIAL:
    - HOUSING: LCP
    - CONTACT: C2680R(T=0.20mm)
    - SHELL: C2680R(T=0.50mm)
  - PLATING:
    - CONTACT:
      - Gold (3u") plating Over Nickel(40~80u")
      - Gold flash (1u"min)Plating On Solder Tail.
    - SHELL:
      - Nickel(80~100u") Plating Over All.
  - P/N: HHF-322023-1SA



**RECOMMENDED PCB LAYOUT**  
**(THICKNESS=1.6±0.15mm)**



|         |                            |                  |            |
|---------|----------------------------|------------------|------------|
| A       | 新版发行                       | CHU              | 2010-03-19 |
| Rev. 版本 | CHANGE DESCRIPTION<br>变更内容 | REVISOR<br>制/修订人 | DATE<br>日期 |

|          |  |  |                                    |       |
|----------|--|--|------------------------------------|-------|
| MATERIAL | TOLERANCE UNSPECIFIED  |  | ZheJiang HeFeng Technology Co.,Ltd |       |
|          | 0.0 ±0.38    0' ±2'<br>0.00 ±0.25    .0' ±1'<br>0.000 ±        .0' ±0.5' |  | SCALE                              | UNIT  |
| FINISH   | DRAWN  |  | 1:1                                | mm    |
|          | DESIGNER   |  | NAME                               |       |
|          | CHECKED  |  | HDMI A/F 19PIN SMT<br>TYPE W-L/K   |       |
|          | APPROVED   |  | DRAWING NO.                        | SHEET |
|          |  |  | HHF-322023-1SA                     | 1/1   |
|          |  |  |                                    | REV A |