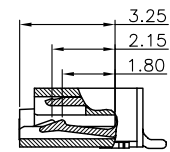
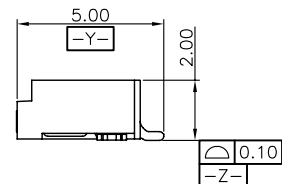
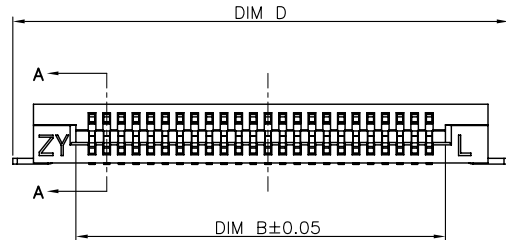
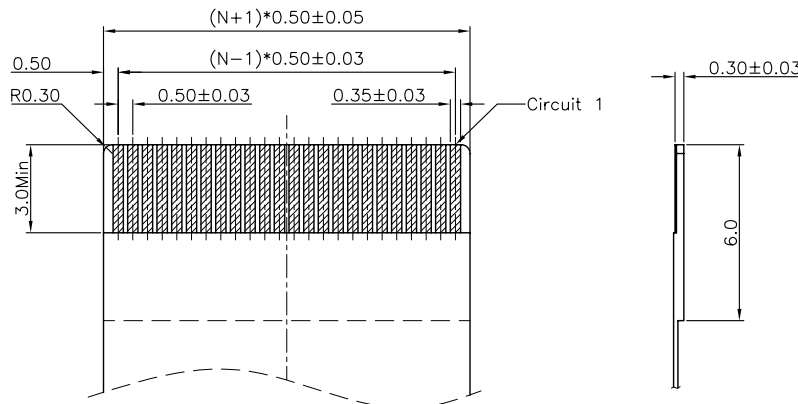
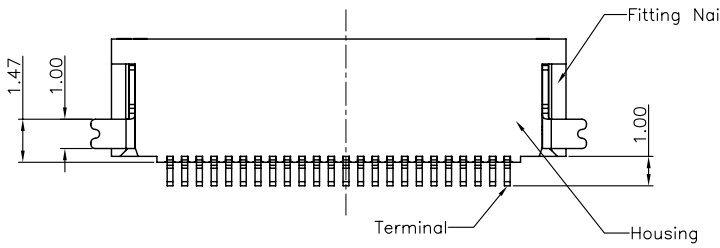


RECOMMENDED P.C.B PATTERN LAYOUT



SECTION A-A SCALE 1:1



RECOMMENDED FPC/FFC DIMENSION

CKTS	DIM A	DIM B	DIM C	DIM D
6	2.50	3.60	6.50	7.90
7	3.00	4.10	7.00	8.40
8	3.50	4.60	7.50	8.90
9	4.00	5.10	8.00	9.40
10	4.50	5.60	8.50	9.90
11	5.00	6.10	9.00	10.40
12	5.50	6.60	9.50	10.90
13	6.00	7.10	10.00	11.40
14	6.50	7.60	10.50	11.90
15	7.00	8.10	11.00	12.40
16	7.50	8.60	11.50	12.90
17	8.00	9.10	12.00	13.40
18	8.50	9.60	12.50	13.90
19	9.00	10.10	13.00	14.40
20	9.50	10.60	13.50	14.90
21	10.00	11.10	14.00	15.40
22	10.50	11.60	14.50	15.90
23	11.00	12.10	15.00	16.40
24	11.50	12.60	15.50	16.90
25	12.00	13.10	16.00	17.40
26	12.50	13.60	16.50	17.90
27	13.00	14.10	17.00	18.40
28	13.50	14.60	17.50	18.90
29	14.00	15.10	18.00	19.40
30	14.50	15.60	18.50	19.90
31	15.00	16.10	19.00	20.40
32	15.50	16.60	19.50	20.90
33	16.00	17.10	20.00	21.40
34	16.50	17.60	20.50	21.90
35	17.00	18.10	21.00	22.40
36	17.50	18.60	21.50	22.90
37	18.00	19.10	22.00	23.40
38	18.50	19.60	22.50	23.90
39	19.00	20.10	23.00	24.40
40	19.50	20.60	23.50	24.90
41	20.00	21.10	24.00	25.40
42	20.50	21.60	24.50	25.90
43	21.00	22.10	25.00	26.40
44	21.50	22.60	25.50	26.90
45	22.00	23.10	26.00	27.40
46	22.50	23.60	26.50	27.90
47	23.00	24.10	27.00	28.40
48	23.50	24.60	27.50	28.90
49	24.00	25.10	28.00	29.40
50	24.50	25.60	28.50	29.90

- Note:
- Material:
 - Housing: thermoplastic high temp. UL94V-0; Color: natural.
 - Terminal: copper alloy T=0.20mm
 - Fitting Nail: copper alloy T=0.20mm
 - Finsh:
 - Terminal: Underplating: Gold flash overall.
 - Fitting Nail: Underplating: matt Tin overall.
 - Product must comply HF RoHS specification.

PART NO. SPEC
AFC16-SXX X X X-00

NO. OF CKTS
CONTACT TYPE
PLATING CODE

1:GOLD FLASH 1u"
2:GOLD FLASH 2u"
3:GOLD FLASH 3u"
C:MATT-Tin 90-120u"

PACKING CODE
A:Tape & Reel
B:Tray package
C:Tube
E:Tape & Reel with Mylar
F:Box with Mylar
G:Tube with Mylar

CUSTOMER DRAWING		浙江合丰科技有限公司 Zhejiang Hefeng Technology Co.,Ltd	
Tolerance Unspecified (未注公差)		Size (图幅): A4	Product Name (产品名称):
0.0 ±0.15 0° ±5°		Unit (单位): MM	0.5Pitch H=2.0 FPC Non-ZIF CONN. R/A SMT TYPE(2)
0.00 ±0.10 0° ±3°		Scale (比例): 1:1	Product No (产品料号):
0.000 ±0.05 0° ±1°		Page (页数): 1 OF 1	AFC16-S**F1A-00
Project View (投影视角): 1st Angle	Rev (版本): A	Designer (设计): Steven 12/23'11	Checked (审核): Allan 12/23'11
Rev (版本):	Change Description (变更内容):	Revisor (制/修订人):	Approved (核准):

Rev	Date	Change Description	Revisor
A	2011/12/23	初版发行	Allan