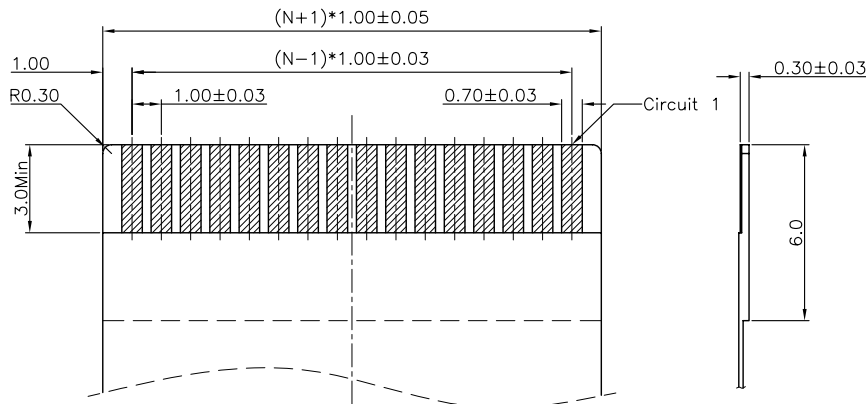
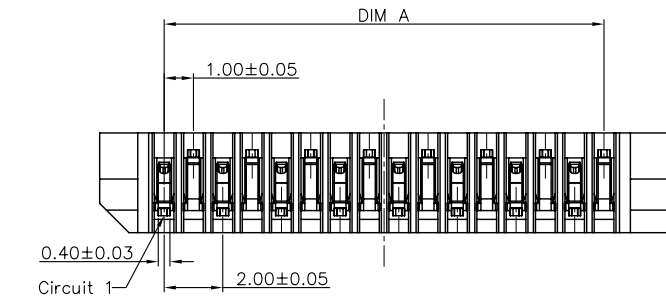
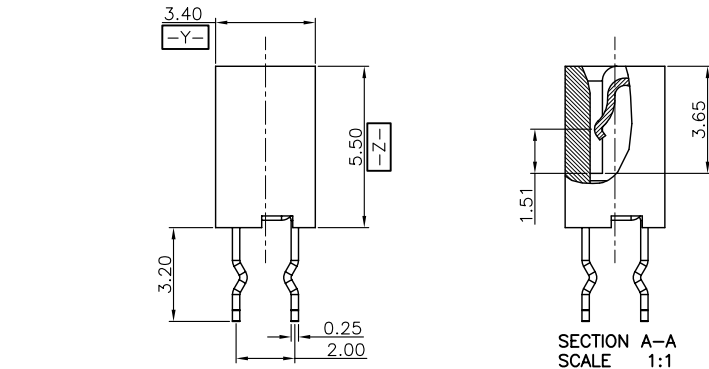
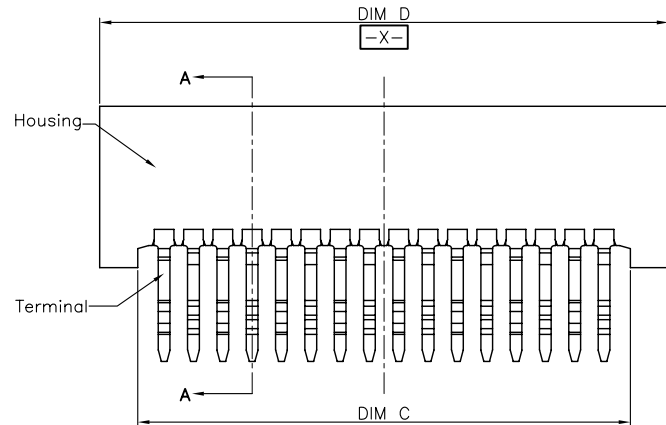


RECOMMENDED P.C.B PATTERN LAYOUT



RECOMMENDED FPC/FFC DIMENSION

CKTS	DIM A	DIM B	DIM C	DIM D
4	3.00	5.10	4.80	7.40
5	4.00	6.10	5.80	8.40
6	5.00	7.10	6.80	9.40
7	6.00	8.10	7.80	10.40
8	7.00	9.10	8.80	11.40
9	8.00	10.10	9.80	12.40
10	9.00	11.10	10.80	13.40
11	10.00	12.10	11.80	14.40
12	11.00	13.10	12.80	15.40
13	12.00	14.10	13.80	16.40
14	13.00	15.10	14.80	17.40
15	14.00	16.10	15.80	18.40
16	15.00	17.10	16.80	19.40
17	16.00	18.10	17.80	20.40
18	17.00	19.10	18.80	21.40
19	18.00	20.10	19.80	22.40
20	19.00	21.10	20.80	23.40
21	20.00	22.10	21.80	24.40
22	21.00	23.10	22.80	25.40
23	22.00	24.10	23.80	26.40
24	23.00	25.10	24.80	27.40
25	24.00	26.10	25.80	28.40
26	25.00	27.10	26.80	29.40
27	26.00	28.10	27.80	30.40
28	27.00	29.10	28.80	31.40
29	28.00	30.10	29.80	32.40
30	29.00	31.10	30.80	33.40

- Note:
- Material:
 - Housing: thermoplastic high temp. UL94V-0; Color: natural.
 - Terminal: copper alloy T=0.25mm.
 - Finish:
 - Terminal:
 - Underplating: matt Tin overall.
 - Product must comply HF RoHS specification.

PART NO. SPEC
 AFA12-SXX X X X-00

NO. OF CKTS
 CONTACT TYPE
 PLATING CODE
 1:GOLD FLASH 1u"
 2:GOLD FLASH 2u"
 3:GOLD FLASH 3u"
 C:MATT-Tin 90-120u"

PACKING CODE
 A:Tape & Reel
 B:Tray package
 C:Tube
 E:Tape & Reel with Mylar
 F:Box with Mylar
 G:Tube with Mylar

CUSTOMER DRAWING		浙江合丰科技有限公司 Zhejiang Hefeng Technology Co.,Ltd	
Tolerance Unspecified (未注公差)		Product Name (产品名称):	
0.0 ±0.15 0° ±5°		1.0Pitch H=5.5 FPC Non-ZIF CONN.S/A DIP Reverse A Type	
0.00 ±0.10 0°0 ±3°		Product No (产品料号):	
0.000 ±0.05 0°00 ±1°		AFA12-S**LCB-00	
Project View (投影视角)		Designer (设计):	
1 OF 1		Checked (审核):	
Rev (版本):		Approved (核准):	
A		Steven 12/23'11 Allan 12/23'11	

A	初版发行	2011/12/23	Allan
Rev 版本	Change Description 变更内容	Date 日期	Revisor 制/修订人