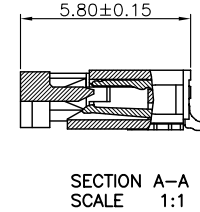
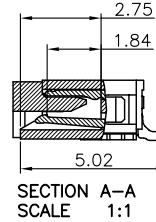
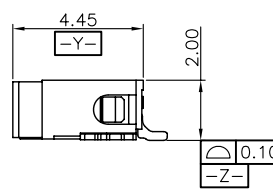
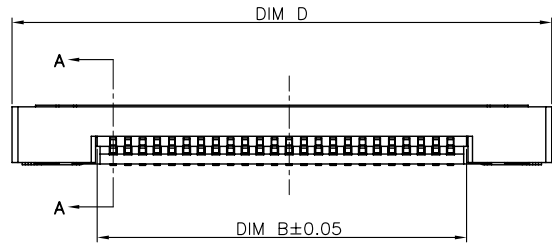
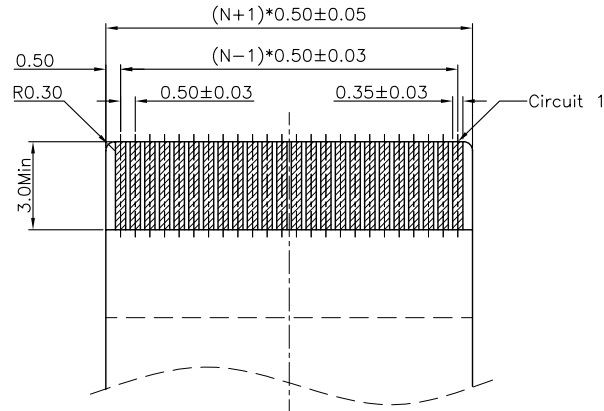
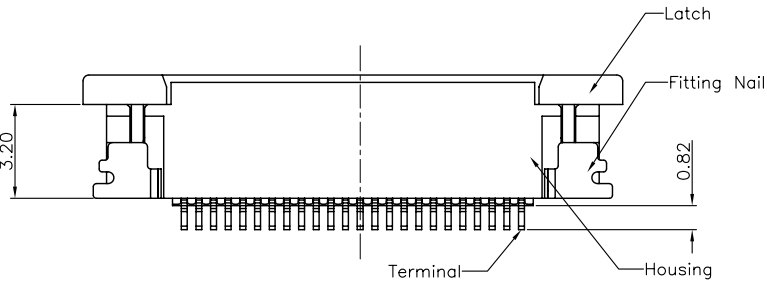


RECOMMENDED P.C.B PATTERN LAYOUT



SECTION A-A SCALE 1:1

SECTION A-A SCALE 1:1



RECOMMENDED FPC/FFC DIMENSION

| CKTS | DIM A | DIM B | DIM C | DIM D |
|------|-------|-------|-------|-------|
| 4 | 1.50 | 2.60 | 6.80 | 8.40 |
| 5 | 2.00 | 3.10 | 7.30 | 8.90 |
| 6 | 2.50 | 3.60 | 7.80 | 9.40 |
| 7 | 3.00 | 4.10 | 8.30 | 9.90 |
| 8 | 3.50 | 4.60 | 8.80 | 10.40 |
| 9 | 4.00 | 5.10 | 9.30 | 10.90 |
| 10 | 4.50 | 5.60 | 9.80 | 11.40 |
| 11 | 5.00 | 6.10 | 10.30 | 11.90 |
| 12 | 5.50 | 6.60 | 10.80 | 12.40 |
| 13 | 6.00 | 7.10 | 11.30 | 12.90 |
| 14 | 6.50 | 7.60 | 11.80 | 13.40 |
| 15 | 7.00 | 8.10 | 12.30 | 13.90 |
| 16 | 7.50 | 8.60 | 12.80 | 14.40 |
| 17 | 8.00 | 9.10 | 13.30 | 14.90 |
| 18 | 8.50 | 9.60 | 13.80 | 15.40 |
| 19 | 9.00 | 10.10 | 14.30 | 15.90 |
| 20 | 9.50 | 10.60 | 14.80 | 16.40 |
| 21 | 10.00 | 11.10 | 15.30 | 16.90 |
| 22 | 10.50 | 11.60 | 15.80 | 17.40 |
| 23 | 11.00 | 12.10 | 16.30 | 17.90 |
| 24 | 11.50 | 12.60 | 16.80 | 18.40 |
| 25 | 12.00 | 13.10 | 17.30 | 18.90 |
| 26 | 12.50 | 13.60 | 17.80 | 19.40 |
| 27 | 13.00 | 14.10 | 18.30 | 19.90 |
| 28 | 13.50 | 14.60 | 18.80 | 20.40 |
| 29 | 14.00 | 15.10 | 19.30 | 20.90 |
| 30 | 14.50 | 15.60 | 19.80 | 21.40 |
| 31 | 15.00 | 16.10 | 20.30 | 21.90 |
| 32 | 15.50 | 16.60 | 20.80 | 22.40 |
| 33 | 16.00 | 17.10 | 21.30 | 22.90 |
| 34 | 16.50 | 17.60 | 21.80 | 23.40 |
| 35 | 17.00 | 18.10 | 22.30 | 23.90 |
| 36 | 17.50 | 18.60 | 22.80 | 24.40 |
| 37 | 18.00 | 19.10 | 23.30 | 24.90 |
| 38 | 18.50 | 19.60 | 23.80 | 25.40 |
| 39 | 19.00 | 20.10 | 24.30 | 25.90 |
| 40 | 19.50 | 20.60 | 24.80 | 26.40 |
| 41 | 20.00 | 21.10 | 25.30 | 26.90 |
| 42 | 20.50 | 21.60 | 25.80 | 27.40 |
| 43 | 21.00 | 22.10 | 26.30 | 27.90 |
| 44 | 21.50 | 22.60 | 26.80 | 28.40 |
| 45 | 22.00 | 23.10 | 27.30 | 28.90 |
| 46 | 22.50 | 23.60 | 27.80 | 29.40 |
| 47 | 23.00 | 24.10 | 28.30 | 29.90 |
| 48 | 23.50 | 24.60 | 28.80 | 30.40 |
| 49 | 24.00 | 25.10 | 29.30 | 30.90 |
| 50 | 24.50 | 25.60 | 29.80 | 31.40 |
| 51 | 25.00 | 26.10 | 30.30 | 31.90 |
| 52 | 25.50 | 26.60 | 30.80 | 32.40 |
| 53 | 26.00 | 27.10 | 31.30 | 32.90 |
| 54 | 26.50 | 27.60 | 31.80 | 33.40 |
| 55 | 27.00 | 28.10 | 32.30 | 33.90 |
| 56 | 27.50 | 28.60 | 32.80 | 34.40 |
| 57 | 28.00 | 29.10 | 33.30 | 34.90 |
| 58 | 28.50 | 29.60 | 33.80 | 35.40 |
| 59 | 29.00 | 30.10 | 34.30 | 35.90 |
| 60 | 29.50 | 30.60 | 34.80 | 36.40 |

Note:

1. Material:

- 1.1 Housing: thermoplastic high temp. UL94V-0; Color: natural.
- 1.2 Latch: thermoplastic high temp. UL94V-0; Color: black.
- 1.3 Terminal: copper alloy T=0.20mm
- 1.4 Fitting Nail: copper alloy T=0.20mm

2. Finsh:

- 2.1 Terminal: Underplating: matt Tin overall.
- 2.2 Fitting Nail: Underplating: matt Tin overall.

3. Product must comply HF RoHS specification.

PART NO. SPEC
AFC08-SXX X X X-HF

NO. OF CKTS
CONTACT TYPE
PLATING CODE
C: MATT-Tin 90-120u"

PACKING CODE
A: Tape & Reel
B: Tray package
C: Tube
E: Tape & Reel with Mylar
F: Box with Mylar
G: Tube with Mylar

CUSTOMER DRAWING

| | |
|------------------------------|-------------------|
| Tolerance Unspecified (未注公差) | Size (图幅): A4 |
| 0.0 ±0.15 0° ±5° | Unit (单位): MM |
| 0.00 ±0.10 0° 0° ±3° | Scale (比例): 1:1 |
| 0.000 ±0.05 0° 0.00 ±1° | Page (页数): 1 OF 1 |
| Project View (投影视角): | Rev (版本): A |



浙江合丰科技有限公司
Zhejiang Hefeng Technology Co., Ltd

Product Name (产品名称): 0.5Pitch H=2.0 FPC ZIF CONN. R/A SMT Lower TYPE(4)

Product No (产品料号): AFC08-S**FCA-HF

Designer (设计): Steven 12/23'11
Checked (审核): Allan 12/23'11
Approved (核准):

| Rev 版本 | Change Description 变更内容 | Date 日期 | Revisor 制/修订人 |
|--------|-------------------------|------------|---------------|
| A | 初版发行 | 2011/12/23 | Allan |