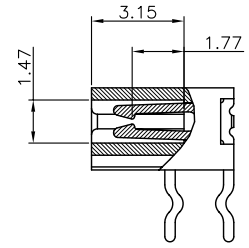
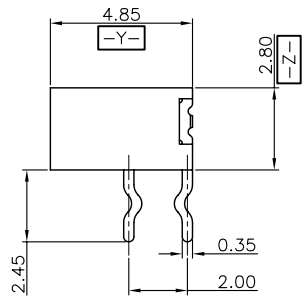
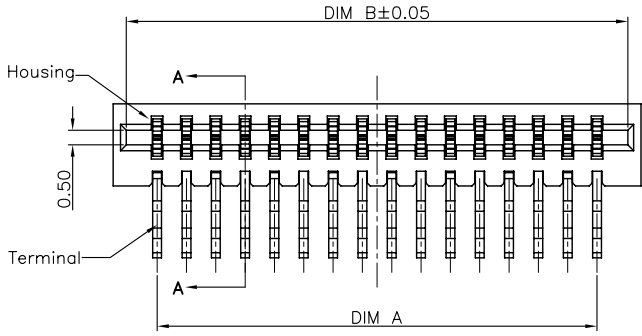
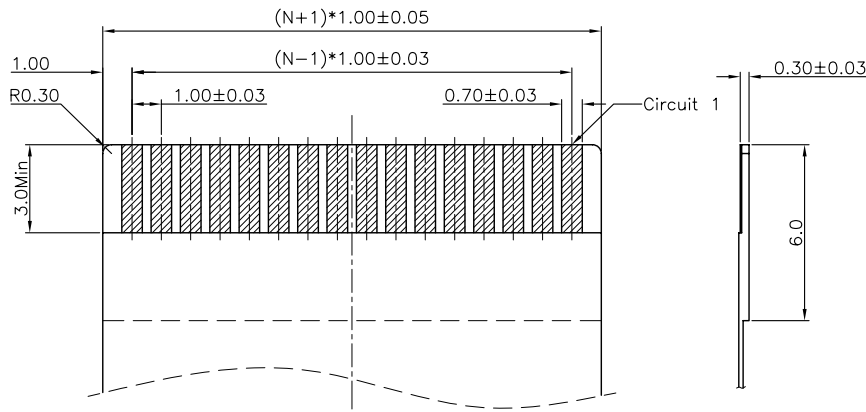
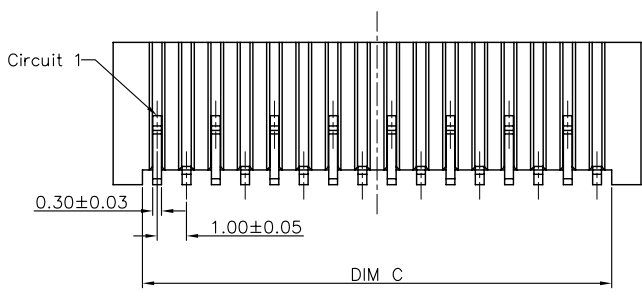


RECOMMENDED P.C.B PATTERN LAYOUT



SECTION A-A SCALE 1:1

CKTS	DIM A	DIM B	DIM C	DIM D
4	3.00	5.10	4.00	6.00
5	4.00	6.10	5.00	7.00
6	5.00	7.10	6.00	8.00
7	6.00	8.10	7.00	9.00
8	7.00	9.10	8.00	10.00
9	8.00	10.10	9.00	11.00
10	9.00	11.10	10.00	12.00
11	10.00	12.10	11.00	13.00
12	11.00	13.10	12.00	14.00
13	12.00	14.10	13.00	15.00
14	13.00	15.10	14.00	16.00
15	14.00	16.10	15.00	17.00
16	15.00	17.10	16.00	18.00
17	16.00	18.10	17.00	19.00
18	17.00	19.10	18.00	20.00
19	18.00	20.10	19.00	21.00
20	19.00	21.10	20.00	22.00
21	20.00	22.10	21.00	23.00
22	21.00	23.10	22.00	24.00
23	22.00	24.10	23.00	25.00
24	23.00	25.10	24.00	26.00
25	24.00	26.10	25.00	27.00
26	25.00	27.10	26.00	28.00
27	26.00	28.10	27.00	29.00
28	27.00	29.10	28.00	30.00
29	28.00	30.10	29.00	31.00
30	29.00	31.10	30.00	32.00



RECOMMENDED FPC/FPC DIMENSION

- Note:
- Material:
    - Housing: thermoplastic high temp.UL94V-0; Color: natural.
    - Terminal: copper alloy T=0.30mm.
  - Finsh:
    - Terminal: Underplating: matt Tin overall.
  - Product must comply HF RoHS specification.

PART NO. SPEC  
AFA13-SXX X X X-HF

NO. OF CKTS  
A: Tape & Reel  
B: Tray package  
C: Tube  
E: Tape & Reel with Mylar  
F: Box with Mylar  
G: Tube with Mylar

CONTACT TYPE

PLATING CODE  
1: GOLD FLASH 1u"  
2: GOLD FLASH 2u"  
3: GOLD FLASH 3u"  
C: MATT-Tin 90-120u"

CUSTOMER DRAWING

Tolerance Unspecified (未注公差)	Size (图幅): A4
0.0 $\pm 0.15$ 0° $\pm 5^\circ$	Unit (单位): MM
0.00 $\pm 0.10$ 0°0' $\pm 3^\circ$	Scale (比例): 1:1
0.000 $\pm 0.05$ 0°0.00' $\pm 1^\circ$	Page (页数): 1 OF 1

**浙江合丰科技有限公司**  
Zhejiang Hefeng Technology Co., Ltd

Product Name (产品名称):  
1.0Pitch H=2.8 FPC Non-ZIF CONN. R/A DIP Normal B Type

Product No (产品料号):  
AFA13-S\*\*MCB-HF

Rev	Version	Change Description	Date	Revisor
A	初版发行		2011/12/23	Allan
	版本	变更内容	日期	制/修订人

Designer (设计): Steven 12/23/11	Checked (审核): Allan 12/23/11	Approved (核准):
-----------------------------------	---------------------------------	----------------

