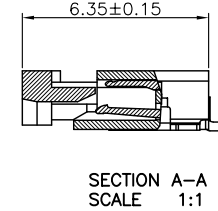
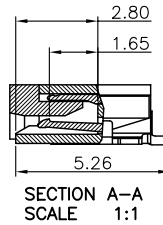
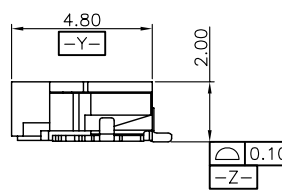
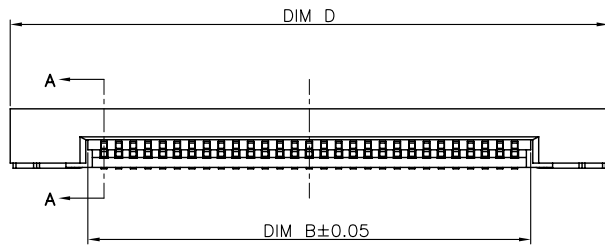
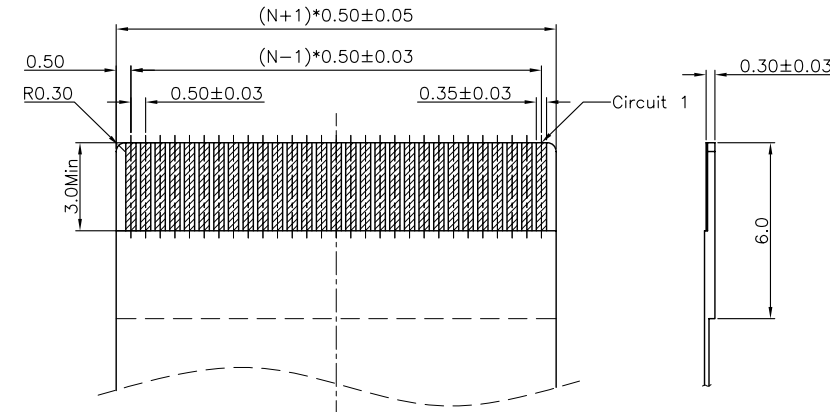
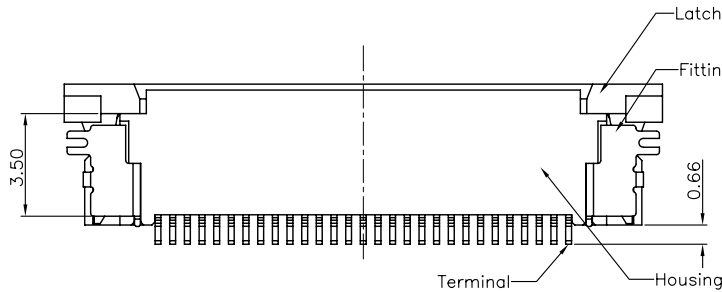


RECOMMENDED P.C.B PATTERN LAYOUT



SECTION A-A SCALE 1:1

SECTION A-A SCALE 1:1



RECOMMENDED FPC/FFC DIMENSION

CKTS	DIM A	DIM B	DIM C	DIM D
4	1.50	2.60	6.50	7.90
5	2.00	3.10	7.00	8.40
6	2.50	3.60	7.50	8.90
7	3.00	4.10	8.00	9.40
8	3.50	4.60	8.50	9.90
9	4.00	5.10	9.00	10.40
10	4.50	5.60	9.50	10.90
11	5.00	6.10	10.00	11.40
12	5.50	6.60	10.50	11.90
13	6.00	7.10	11.00	12.40
14	6.50	7.60	11.50	12.90
15	7.00	8.10	12.00	13.40
16	7.50	8.60	12.50	13.90
17	8.00	9.10	13.00	14.40
18	8.50	9.60	13.50	14.90
19	9.00	10.10	14.00	15.40
20	9.50	10.60	14.50	15.90
21	10.00	11.10	15.00	16.40
22	10.50	11.60	15.50	16.90
23	11.00	12.10	16.00	17.40
24	11.50	12.60	16.50	17.90
25	12.00	13.10	17.00	18.40
26	12.50	13.60	17.50	18.90
27	13.00	14.10	18.00	19.40
28	13.50	14.60	18.50	19.90
29	14.00	15.10	19.00	20.40
30	14.50	15.60	19.50	20.90
31	15.00	16.10	20.00	21.40
32	15.50	16.60	20.50	21.90
33	16.00	17.10	21.00	22.40
34	16.50	17.60	21.50	22.90
35	17.00	18.10	22.00	23.40
36	17.50	18.60	22.50	23.90
37	18.00	19.10	23.00	24.40
38	18.50	19.60	23.50	24.90
39	19.00	20.10	24.00	25.40
40	19.50	20.60	24.50	25.90
41	20.00	21.10	25.00	26.40
42	20.50	21.60	25.50	26.90
43	21.00	22.10	26.00	27.40
44	21.50	22.60	26.50	27.90
45	22.00	23.10	27.00	28.40
46	22.50	23.60	27.50	28.90
47	23.00	24.10	28.00	29.40
48	23.50	24.60	28.50	29.90
49	24.00	25.10	29.00	30.40
50	24.50	25.60	29.50	30.90
51	25.00	26.10	30.00	31.40
52	25.50	26.60	30.50	31.90
53	26.00	27.10	31.00	32.40
54	26.50	27.60	31.50	32.90
55	27.00	28.10	32.00	33.40
56	27.50	28.60	32.50	33.90
57	28.00	29.10	33.00	34.40
58	28.50	29.60	33.50	34.90
59	29.00	30.10	34.00	35.40
60	29.50	30.60	34.50	35.90

Note:

- Material:
 - Housing: thermoplastic high temp. UL94V-0; Color: natural.
 - Latch: thermoplastic high temp. UL94V-0; Color: black.
 - Terminal: copper alloy T=0.20mm
 - Fitting Nail: copper alloy T=0.20mm
- Finish:
 - Terminal: Underplating: matt Tin overall.
 - Fitting Nail: Underplating: matt Tin overall.
- Product must comply HF RoHS specification.

PART NO. SPEC
AFC09-SXX X X X-HF

NO. OF CKTS
CONTACT TYPE
PLATING CODE

PACKING CODE
A:Tape & Reel
B:Tray package
C:Tube
E:Tape & Reel with Mylar
F:Box with Mylar
G:Tube with Mylar

1:GOLD FLASH 1u"
2:GOLD FLASH 2u"
3:GOLD FLASH 3u"
C:MATT-Tin 90-120u"

CUSTOMER DRAWING		浙江合丰科技有限公司 Zhejiang Hefeng Technology Co.,Ltd	
Tolerance Unspecified (未注公差)		Size (图幅): A4	
0.0 ±0.15 0° ±5°		Unit (单位): MM	
0.00 ±0.10 0° ±3°		Scale (比例): 1:1	
0.000 ±0.05 0° 0° ±1°		Page (页数): 1 OF 1	
Project View (投影视角): 6		Product Name (产品名称): 0.5Pitch H=2.0 FPC ZIF CONN. R/A SMT Lower TYPE(5)	
Rev (版本): A		Product No (产品料号): AFC09-S**FCA-HF	
Designer (设计): Steven 12/23'11		Checked (审核): Allan 12/23'11	
Approved (核准):			

Rev 版本	Change Description 变更内容	Date 日期	Revisor 制/修订人
A	初版发行	2011/03/23	Allan