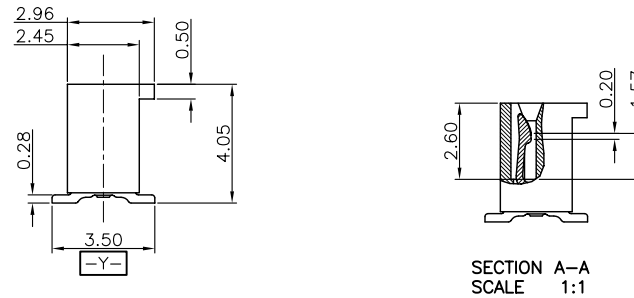
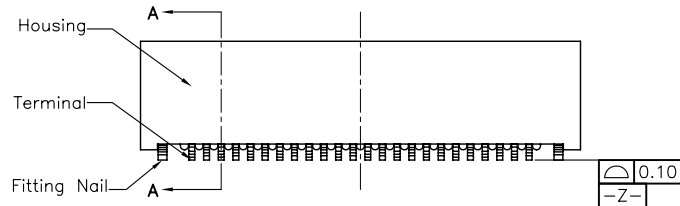
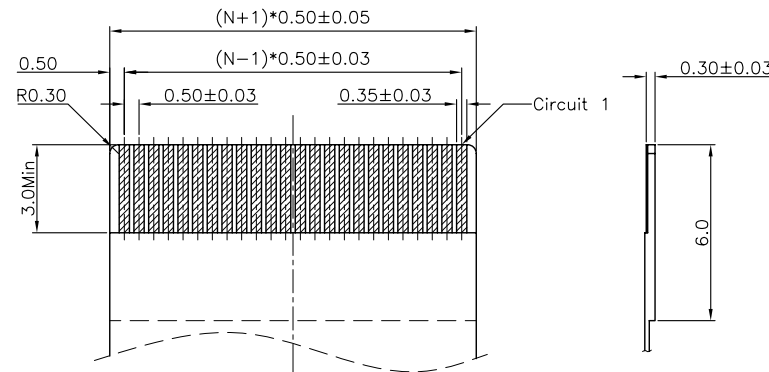
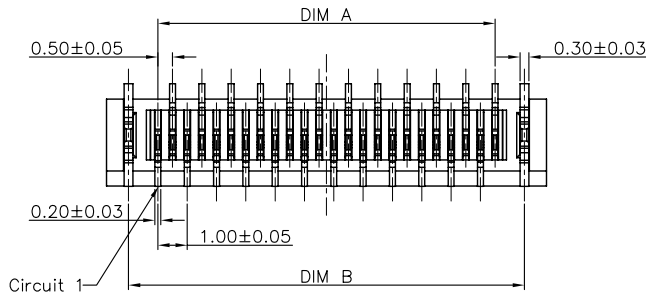


RECOMMENDED P.C.B PATTERN LAYOUT



CKTS	DIM A	DIM B	DIM C	DIM D
6	2.50	4.50	3.60	6.00
7	3.00	5.00	4.10	6.50
8	3.50	5.50	4.60	7.00
9	4.00	6.00	5.10	7.50
10	4.50	6.50	5.60	8.00
11	5.00	7.00	6.10	8.50
12	5.50	7.50	6.60	9.00
13	6.00	8.00	7.10	9.50
14	6.50	8.50	7.60	10.00
15	7.00	9.00	8.10	10.50
16	7.50	9.50	8.60	11.00
17	8.00	10.00	9.10	11.50
18	8.50	10.50	9.60	12.00
19	9.00	11.00	10.10	12.50
20	9.50	11.50	10.60	13.00
21	10.00	12.00	11.10	13.50
22	10.50	12.50	11.60	14.00
23	11.00	13.00	12.10	14.50
24	11.50	13.50	12.60	15.00
25	12.00	14.00	13.10	15.50
26	12.50	14.50	13.60	16.00
27	13.00	15.00	14.10	16.50
28	13.50	15.50	14.60	17.00
29	14.00	16.00	15.10	17.50
30	14.50	16.50	15.60	18.00
31	15.00	17.00	16.10	18.50
32	15.50	17.50	16.60	19.00
33	16.00	18.00	17.10	19.50
34	16.50	18.50	17.60	20.00
35	17.00	19.00	18.10	20.50
36	17.50	19.50	18.60	21.00
37	18.00	20.00	19.10	21.50
38	18.50	20.50	19.60	22.00
39	19.00	21.00	20.10	22.50
40	19.50	21.50	20.60	23.00
41	20.00	22.00	21.10	23.50
42	20.50	22.50	21.60	24.00
43	21.00	23.00	22.10	24.50
44	21.50	23.50	22.60	25.00
45	22.00	24.00	23.10	25.50
46	22.50	24.50	23.60	26.00
47	23.00	25.00	24.10	26.50
48	23.50	25.50	24.60	27.00
49	24.00	26.00	25.10	27.50
50	24.50	26.50	25.60	28.00



RECOMMENDED FPC/FFC DIMENSION

Note:

- Material:
  - Housing: thermoplastic high temp. UL94V-0; Color: natural.
  - Terminal: copper alloy T=0.20mm
  - Fitting Nail: copper alloy T=0.30mm
- Finish:
  - Terminal: Underplating: matt Tin overall.
  - Fitting Nail: Underplating: matt Tin overall.
- Product must comply HF RoHS specification.

PART NO. SPEC  
AF3D XX L \* S 0 T 1 0\_Q0

NO. OF CKTS  
CONTACT TYPE  
R:180° SMT Normal  
L:180° SMT Reverse  
PACKING CODE  
P:Tape & Reel  
T:Tube  
PLATING CODE  
0:MATT-Tin 90-120u"  
1:GOLD FLASH 1u"  
2:GOLD FLASH 2u"  
3:GOLD FLASH 3u"  
A:Point Gold-plated 1u"  
B:Point Gold-plated 2u"  
C:Point Gold-plated 3u"

CUSTOMER DRAWING

Tolerance Unspecified (未注公差)	Size (图幅): A4
0.0 ±0.15 0° ±5°	Unit (单位): MM
0.00 ±0.10 0° 0 ±3°	Scale (比例): 1:1
0.000 ±0.05 0° 00 ±1°	Page (页数): 1 OF 1
Project View (投影视角)	Rev (版本): A



浙江合丰科技有限公司  
Zhejiang Hefeng Technology Co.,Ltd

Product Name (产品名称): 0.5Pitch H=4.0 FPC Non-ZIF CONN. SA SMT Reverse TYPE		
Product No (产品料号): AF3DXXL*SOT10_Q0		
Designer (设计): Steven 12/23'11	Checked (审核): Allan 12/23'11	Approved (核准):

A	初版发行	2011/12/23	Allan
Rev 版本	Change Description 变更内容	Date 日期	Revisor 制/修订人