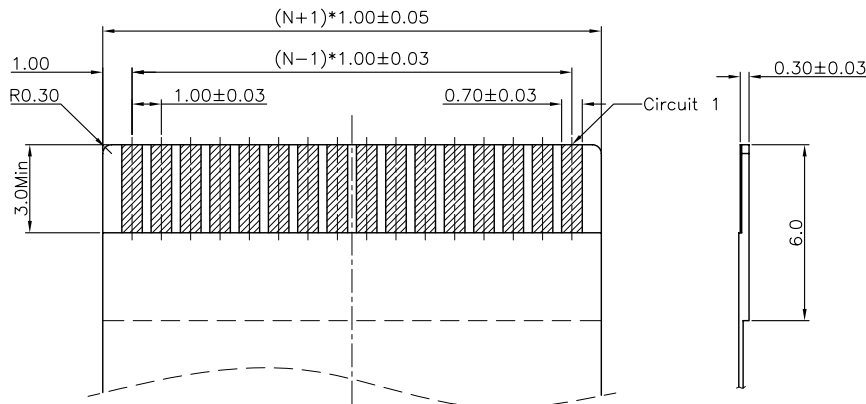
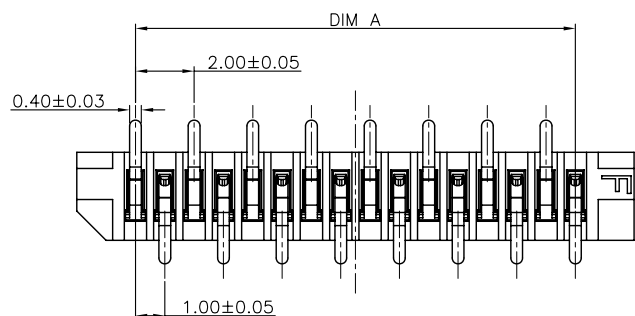


SECTION A-A
SCALE 1:1



CKTS	DIM A	DIM B	DIM C	DIM D
4	3.00	5.10	4.56	7.00
5	4.00	6.10	5.56	8.00
6	5.00	7.10	6.56	9.00
7	6.00	8.10	7.56	10.00
8	7.00	9.10	8.56	11.00
9	8.00	10.10	9.56	12.00
10	9.00	11.10	10.56	13.00
11	10.00	12.10	11.56	14.00
12	11.00	13.10	12.56	15.00
13	12.00	14.10	13.56	16.00
14	13.00	15.10	14.56	17.00
15	14.00	16.10	15.56	18.00
16	15.00	17.10	16.56	19.00
17	16.00	18.10	17.56	20.00
18	17.00	19.10	18.56	21.00
19	18.00	20.10	19.56	22.00
20	19.00	21.10	20.56	23.00
21	20.00	22.10	21.56	24.00
22	21.00	23.10	22.56	25.00
23	22.00	24.10	23.56	26.00
24	23.00	25.10	24.56	27.00
25	24.00	26.10	25.56	28.00
26	25.00	27.10	26.56	29.00
27	26.00	28.10	27.56	30.00
28	27.00	29.10	28.56	31.00
29	28.00	30.10	29.56	32.00
30	29.00	31.10	30.56	33.00

- Note:
- Material:
 - Housing: thermoplastic high temp. UL94V-0; Color: natural.
 - Terminal: copper alloy T=0.25mm.
 - Finsh:
 - Terminal: Underplating: matt Tin overall.
 - Product must comply HF RoHS specification.

PART NO. SPEC
 AFA11-SXX X X X-HF

NO. OF CKTS | **PACKING CODE**
 A:Tape & Reel
 B:Tray package
 C:Tube
 E:Tape & Reel with Mylar
 F:Box with Mylar
 G:Tube with Mylar

CONTACT TYPE

PLATING CODE
 1:GOLD FLASH 1u"
 2:GOLD FLASH 2u"
 3:GOLD FLASH 3u"
 C:MATT-Tin 90-120u"

RECOMMENDED FPC/FFC DIMENSION

CUSTOMER DRAWING

Tolerance Unspecified (未注公差)	Size (图幅): A4
0.0 ±0.15 0° ±5°	Unit (单位): MM
0.00 ±0.10 0° 0 ±3°	Scale (比例): 1:1
0.000 ±0.05 0° 00 ±1°	Page (页数): 1 OF 1
Project View (投影视角): 1 OF 1	Rev (版本): A



浙江合丰科技有限公司
 Zhejiang Hefeng Technology Co.,Ltd

Product Name (产品名称): 1.0Pitch H=5.0 FPC Non-ZIF CONN. S/A SMT Normal A Type

Product No (产品料号): AFA11-S**ICA-HF

Rev 版本	Change Description 变更内容	Date 日期	Revisor 制/修订人
A	初版发行	2011/12/23	Allan

Designer (设计): Steven 12/23/11
 Checked (审核): Allan 12/23/11
 Approved (核准):