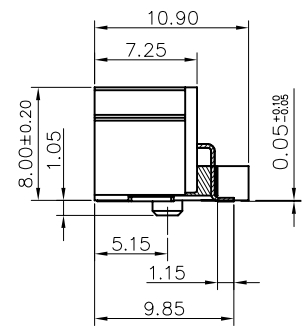
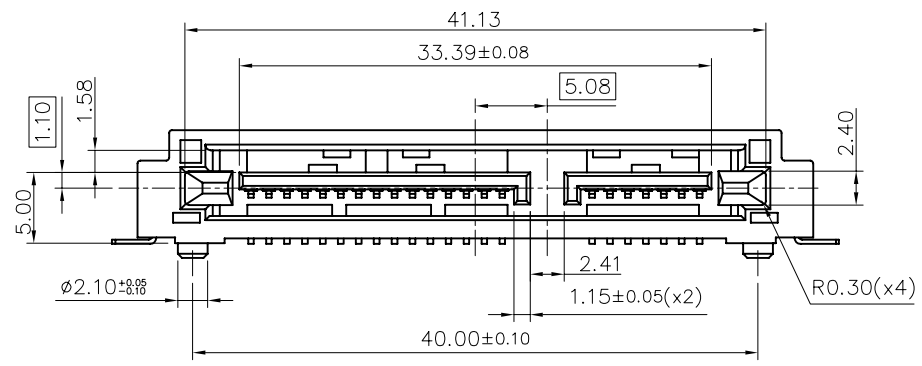


RECOMMENDED P.C.B. LAYOUT (T:1.60mm)  
TOLERANCE UNSPECIFIED ±0.05mm



ORDERING INFORMATION :  
ASA01-P22AXX-01

- HALOGEN FREE
- PACKAGING CODE
- A: TAPE REEL PACKAGEING
- B: TARY PACKING
- C: TUBE PACKING
- TERMINAL CONTACT
- AREA PLATING CODE:
- 1: CONTACT AREA: GOLD FLASH
- SOLDER AREA: GOLD FLASH
- 3: CONTACT AREA: 3u" GOLD
- SOLDER AREA: GOLD FLASH
- 6: CONTACT AREA: GOLD FLASH
- SOLDER AREA: MATTE TIN 100u"
- 7: CONTACT AREA: 3u" GOLD
- SOLDER AREA: MATTE TIN 100u"

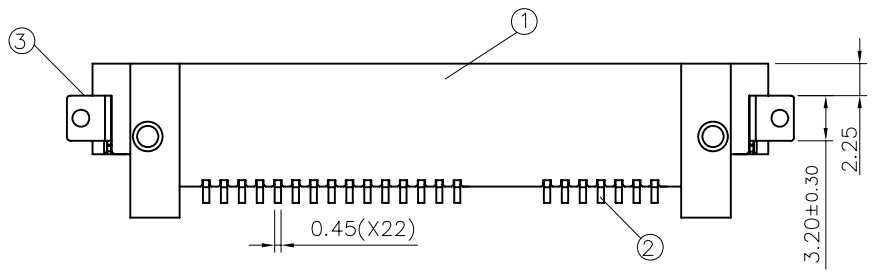
SPECIFICATION

- 1.1 WITHSTANDING VOLTAGE: 500 VAC FOR 1 MINUTE.
- 1.2 INSULATION RESISTANCE: 1000 MEGAOHMS MIN.
- 1.3 CONTACT RESISTANCE: 30 MILLIOHMS MAX.
- 1.4 CONTACT CURRENT RATING: 1.5A MIN.
- 1.5 OPERATING TEMPERATURE: -25°C TO +85°C

**PROVISIONAL**

TABLE:

ITEM	PART NAME	MATERIAL	COLOR OR PLATED
①	HOUSING	HIGHT TEMPERATURE PLASTIC	BLACK
②	TERMINAL	COPPER ALLOY	Au AND Ni PLATED
③	GROUND PIN	COPPER ALLOY	Sn PLATED



MATERIAL	SEE TABLE	TOLERANCE UNSPECIFIED		SCALE	UNIT	SHEET
		0.0 ±0.30 0' ±2'				
FINISH	DRAWN	Chu	11/11/24	NAME	S-ATA 7+15P R/A, SMT, MALE TYPE CONNECTOR	1/1
	DESIGNER	Chu	11/11/24			
	CHECKED					
APPROVED		DRAWING NO.	ASA01-P22A6A-01	REV	A	

A	新版发行	chu	2011-11-24
Rev. 版本	CHANGE DESCRIPTION 变更内容	REVISOR 制/修订人	DATE 日期